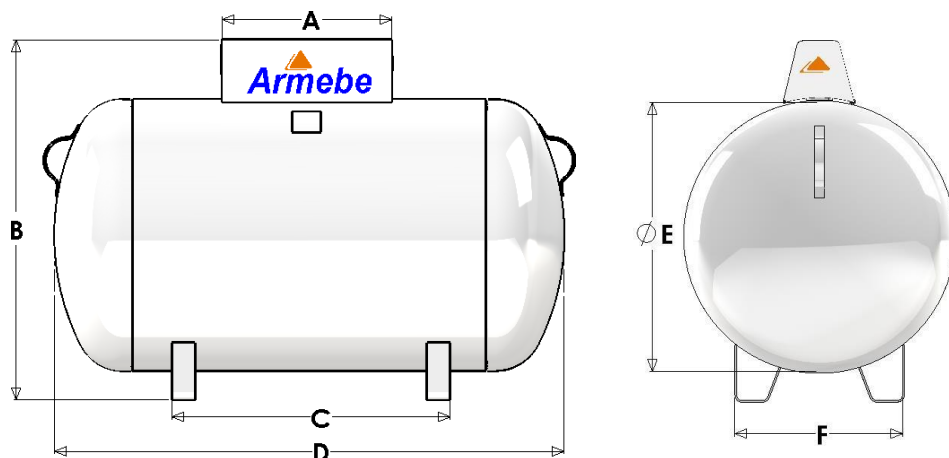


TANQUE ESTACIONARIO
STATIONARY TANK



- A.- LONGITUD DEL PROTECTOR
(PROTECTOR LENGTH)
- B.- ALTURA
(HEIGHT)
- C.- DISTANCIA ENTRE SOPORTES
(DISTANCE BETWEEN SUPPORTS)
- D.- LONGITUD TOTAL
(OVERALL LENGTH)
- E.- DIÁMETRO DEL TANQUE
(TANK DIAMETER)
- F.- ANCHO ENTRE SOPORTES
(WIDTH BETWEEN SUPPORTS)

DIMENSIONES GENERALES (mm)									
MODELO	Capacidad Volumétrica (Litros)	A	B	C	D	∅E	F	Tara (kg)	Vaporización m ³ /hr
E-100	100	381	584	495	864	406	284	43	1.109
E-120	120	381	679	354	700	508	330	45	1.168
E-180	180	381	823	354	722	610	395	64	1.391
E-200	200	381	679	585	1090	508	330	68	1.750
E-300	300	381	823	585	1155	610	395	85	2.225
E-500	520	470	823	1290	1957	610	400	146	3.773
E-1000	1000	470	1006	1387	2373	762	457	298	5.716
E-1800	1770	800	1229	1257	2370	1029	584	497	7.871
E-2200	2250	800	1229	1618	2979	1029	584	555	9.688
E-2800	2750	800	1229	2177	3580	1029	584	650	11.637
E-3400	3450	800	1385	2820	3556	1168	584	857	13.133
E-5000	5000	800	1385	3531	5029	1168	584	1211	18.573

OVERALL DIMENSIONS (in)									
TYPE	Capacity (Gal)	A	B	C	D	∅E	F	Tare Weight (lb)	Vaporization ft ³ /hr
E-100	26.4	15	22.9	19.4	34	16	11.2	94.8	39.15
E-120	31.7	15	26.7	13.9	27.5	20	12.9	99.2	41.24
E-180	47.5	15	32.4	13.9	28.4	24	15.5	141	49.11
E-200	52.8	15	26.7	23	42.9	20	12.9	149.9	61.79
E-300	79.2	15	32.4	23	45.4	24	15.5	187.4	78.60
E-500	137.4	18.5	32.4	50.7	77	24	15.7	321.8	133.22
E-1000	264.2	18.5	39.6	54.6	93.4	30	17.9	656.9	201.83
E-1800	467.6	31.5	48.4	49.5	93.3	40.5	23	1095.7	277.92
E-2200	581.2	31.5	48.4	63.7	117.3	40.5	23	1223.6	342.08
E-2800	726.4	31.5	48.4	85.7	140.9	40.5	23	1433	410.90
E-3400	911.4	31.5	54.5	111	140	46	23	1889.3	463.72
E-5000	1320.8	31.5	54.5	139	197.9	46	23	2669.8	655.81

ACABADO: FOSFATIZADO CON APLICACIÓN ELECTROSTATICA DE PINTURA EN POLVO HORNEADO
FINISH: OUR TANKS HAVE ELECTROSTATIC POLYESTER POWDER COAT PAINT FOR MAXIMUM RUST PROTECTION.